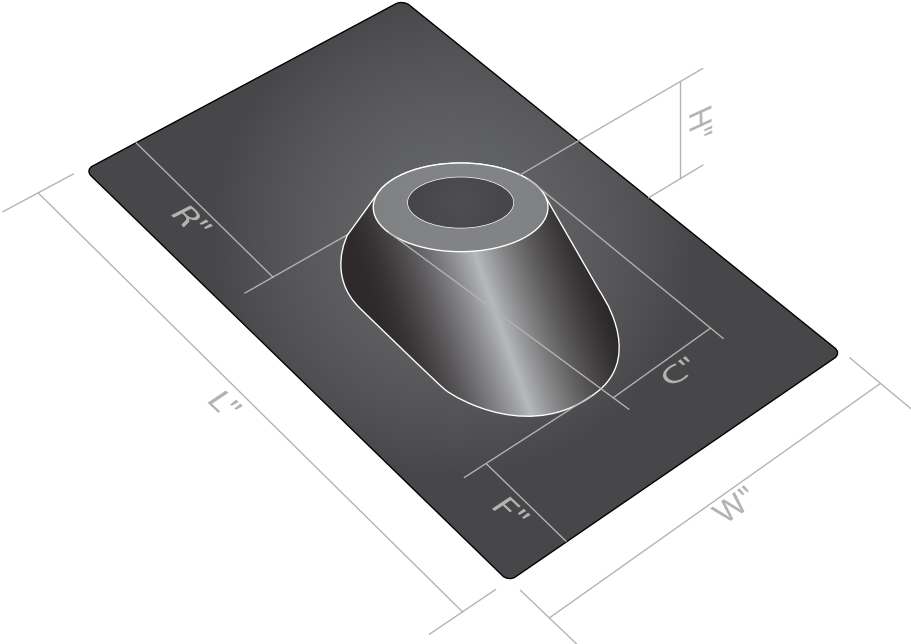




All Flexible Base —Standard Roof Flashing



Florida Building Code Approved  
#FL3066-R2

**Specifications:**

Furnish and install all-flexible base roof vent flashing with elastomer collar. Unit shall be Water-Tite® item number checked below as manufactured by IPS Corporation®, as per corresponding dimensional characteristics, or equivalent. **(Do not use Petroleum based mastics, sealing compounds, or paints on collar portion of all flashings, on all hardbase, flexible , or rain collars.)**

Product Code	Model	Vent Size	Dim. W	Dim. L	Dim. R	Dim. F	Dim. C	Dim. H
81800	FB1	1-1/4" - 1-1/2"	9"	11-3/8"	3-3/8"	2-5/8"	3-1/4"	2"
81805	FB2	2"	9"	11-3/8"	3-3/8"	2-5/6"	3-1/4"	2"
81810	FB3	3"	10"	13-1/4"	4-1/4"	2-1/2"	4-1/4"	2-1/2"
81815	FB4	4"	12"	14-3/4"	4-1/4"	2-3/8"	5"	2-3/4"