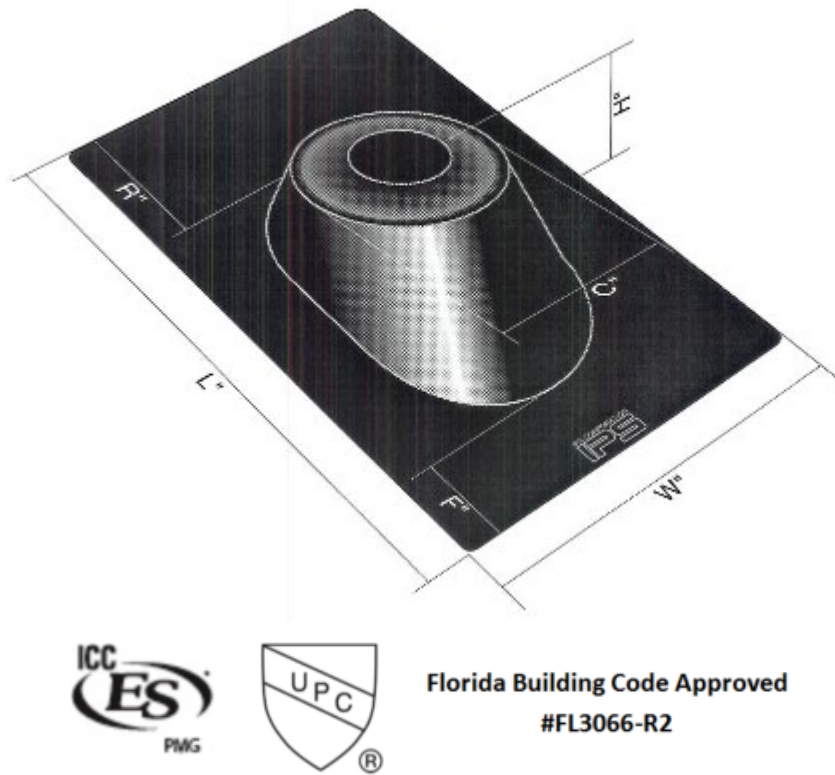


SPECIFICATION:

Furnish and install hard plastic base roof vent flashing with elastomer collar. Unit shall be Water-Tite item number checked below as manufactured by IPS Corporation, as per corresponding dimensional characteristics, or equivalent. *(Do not use Petroleum based mastics, sealing compounds, or paints on collar portion of all flashings, on all hardbase, flexible, or rain collars.)*



Product Code	Model	Vent Size	Dim. W	Dim. L	Dim. R	Dim. F	Dim. C	Dim. H
81750	HB1	1 ¼" - 1 ½"	9 ¼"	13"	3 ⅜"	2 ⅜"	4"	2 ¼"
81751	HB1LB	1 ¼" - 1 ½"	11 ⅞"	15"	3 ½"	2 ½"	5 ⅜"	2 ⅞"
81755	HB2	2"	9 ¼"	13"	3 ⅜"	2 ⅜"	4"	2 ¼"
81756	HB2LB	2"	11 ⅞"	15"	3 ½"	2 ½"	5 ⅜"	2 ⅞"
81760	HB3	3"	11 ⅞"	15"	3 ½"	2 ½"	5 ⅜"	2 ⅞"
81765	HB4	4"	12"	15 ½"	3 ⅜"	2 ⅞"	6 ¼"	2 9/10"