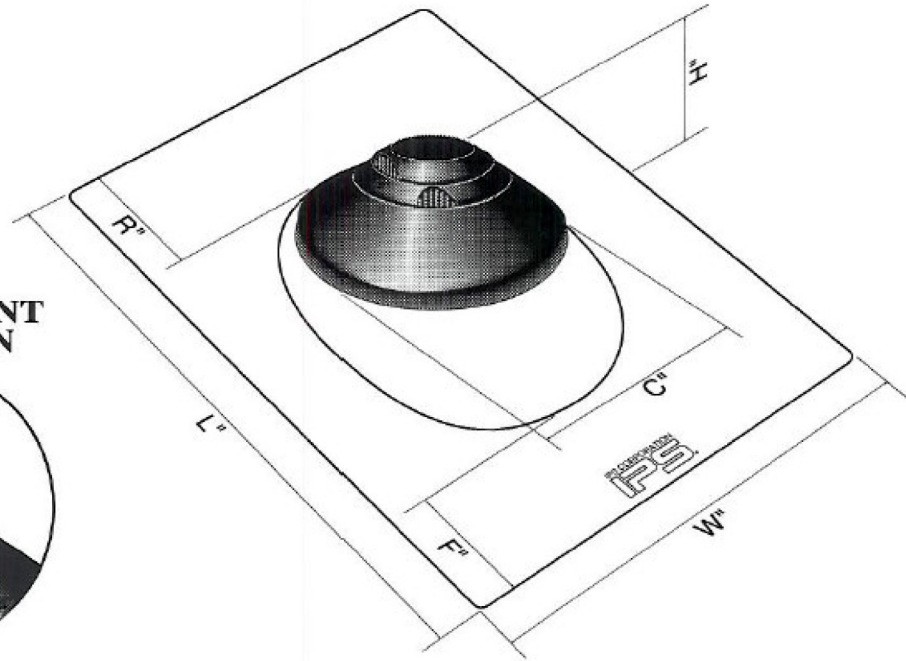
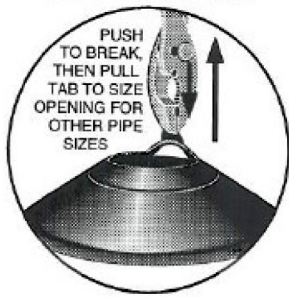




Galvanized Base—Multi-Size Metal Roof Flashing

ADJUSTMENT FUNCTION



Florida Building Code Approved
#FL3066-R2

Specifications:

Furnish and install roof vent flashing with 24 gauge galvanized steel base, fitted with multi-size elastomer collar. Unit shall be Water-Tite item number checked below as manufactured by IPS Corporation, as per corresponding dimensional characteristics, or equivalent. **(Do not use Petroleum based mastics, sealing compounds, or paints on collar portion of all flashings, on all hardbase, flexible , or rain collars.)**

Product Code	Model	Vent Size	Dim. W	Dim. L	Dim. R	Dim. F	Dim. C	Dim. H
81710	GB31	1-1/4" - 3"	10-3/4"	14 -1/2"	2-5/8"	2-3/8"	5 -1/2"	2-1/8"
81880	GB4118	1-1/4" - 4"	18"	18"	4-3/4"	3-3/4"	6 -1/2"	2-1/8"
81711	GB41	1-1/4", 1-1/2", 2", 3" or 4"	12"	16"	3-3/4"	2-3/4"	6-1/2"	2-1/4"