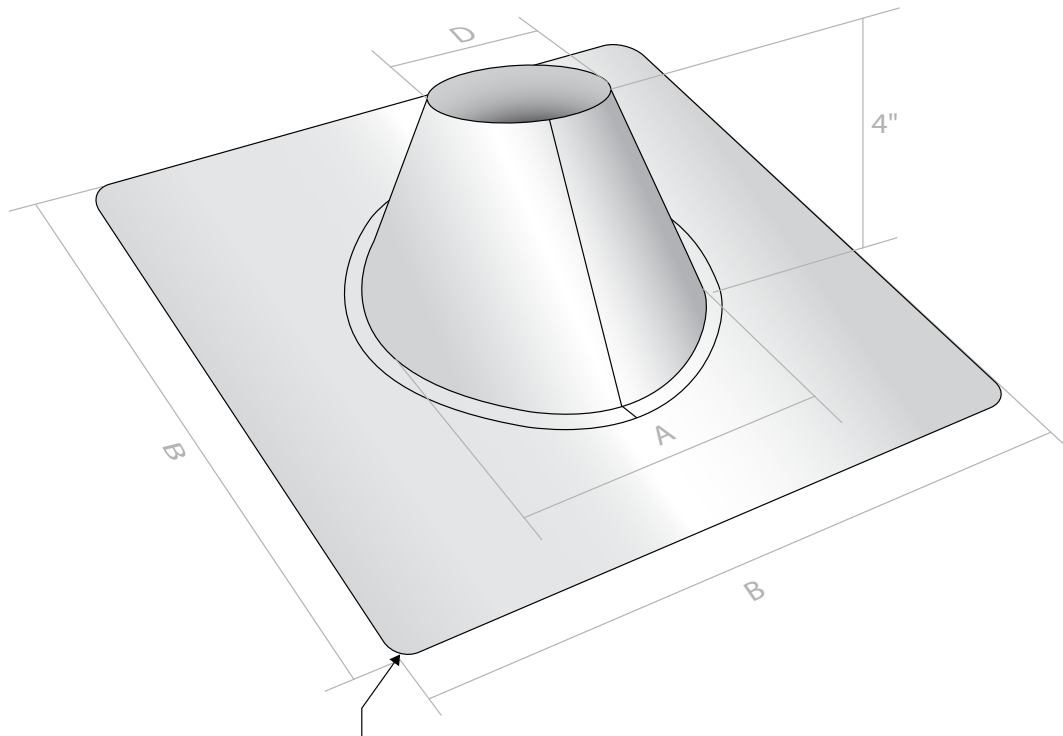


IPS[®] Type B Vent Flashings

ROOFING PRODUCTS



Round edges for safety and convenience.

Features

- 28 gauge G-90 ASTM-A653 CS Galvanized steel
- Conical shape allows adjusting from 0/12 to 8/12 roof pitch
- Steep pitch models adjust from 8/12 to 12/12 roof pitch
- Cone and base seams have sealant on the inside of flashing

Specifications:

Furnish and install Type B galvanized steel vent flashing. Unit shall be Water-Tite[®] item number checked below as manufactured by IPS Corporation[®], as per corresponding dimensional characteristics, or equivalent.

Product Code	Model	Nominal Size	D	A	B	Pitch
81575	TB3	3"	4"	8"	16 x 16	0/12 to 8/12
81576	TB4	4"	5"	9"	17 x 16	0/12 to 8/12
81577	TB5	5"	6"	10"	18 x 18	0/12 to 8/12
81578	TB6	6"	7"	12"	20 x 20	0/12 to 8/12
81579	TB7	7"	8.5"	12"	20 x 20	0/12 to 8/12
81580	TB8	8"	9.5"	14"	22 x 22	0/12 to 8/12
81585	TB3SP	3"	4"	8"	16 x 16	8/12 to 12/12
81586	TB4SP	4"	5"	9"	17 x 16	8/12 to 12/12